

CREATIVE SOUND SOLUTIONS ERT26 TWEETER

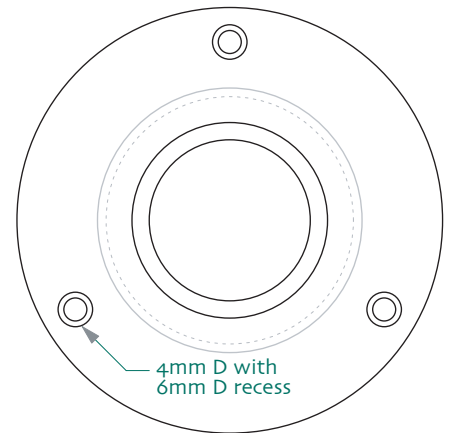


Creative Sound Solutions is pleased to introduce a new 1" silk dome unit in a sealed housing made by Mark Audio. It operates up to 30 KHz and is a step ahead of most other high frequency drivers in its class with a sound delivery that is linear and smooth beyond 20KHz. Suitable for Hi-Fi and home theatre multi-way applications. Listed below are the primary features:

- Extended frequency range to + 30-kHz
- frequency delivery near flat, no big variations in the frequency operational range
- 1" (25.4mm) silk dome emitter
- Power = 20 Watts (nominal)
- Coil diameter = 25 mm

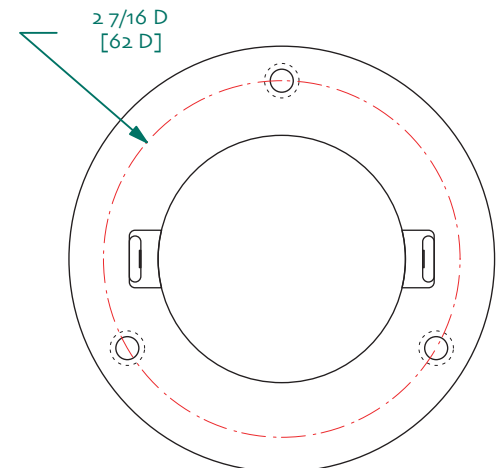
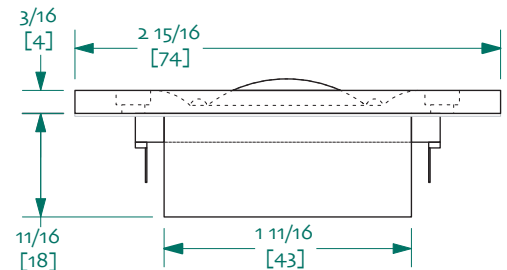
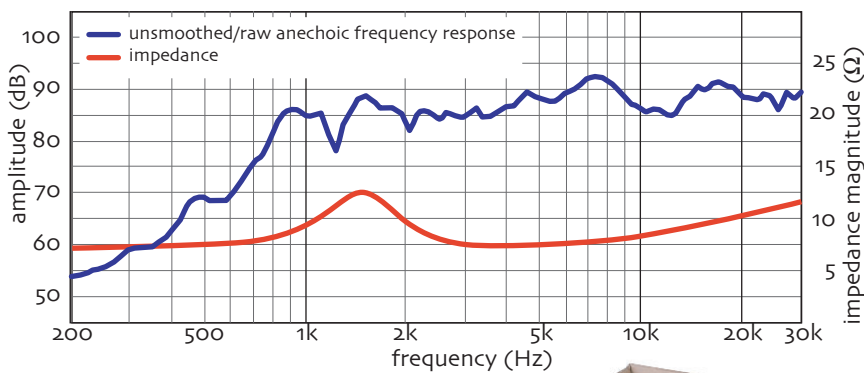


The casing has a satin-finish that offers a stylish and 'professional' look. Comes supplied with high quality M4 hex drive, black powder-coated wood screws and a 2mm PVA cabinet seal for easy installation.



CSS ERT26 Thiele/Small Parameters

F_s (kHz)	1.5	V_{as} (litres)	—	R_e (Ω)	7.2
Q_{es}	—	S_d (cm^2)	6.44	SP_L (dB@1W 1m)	92.0
Q_{ms}	—	X_{max} (one way)	—	L_e (mH)	—
Q_{ts}	—	BL	NA	M_{ms} (g)	—



creative sound solutions
 44-31255 Upper Maclure Rd
 Abbotsford, BC Canada V2T 5N4
 ☎ 604-504-3954
www.creativesound.ca

