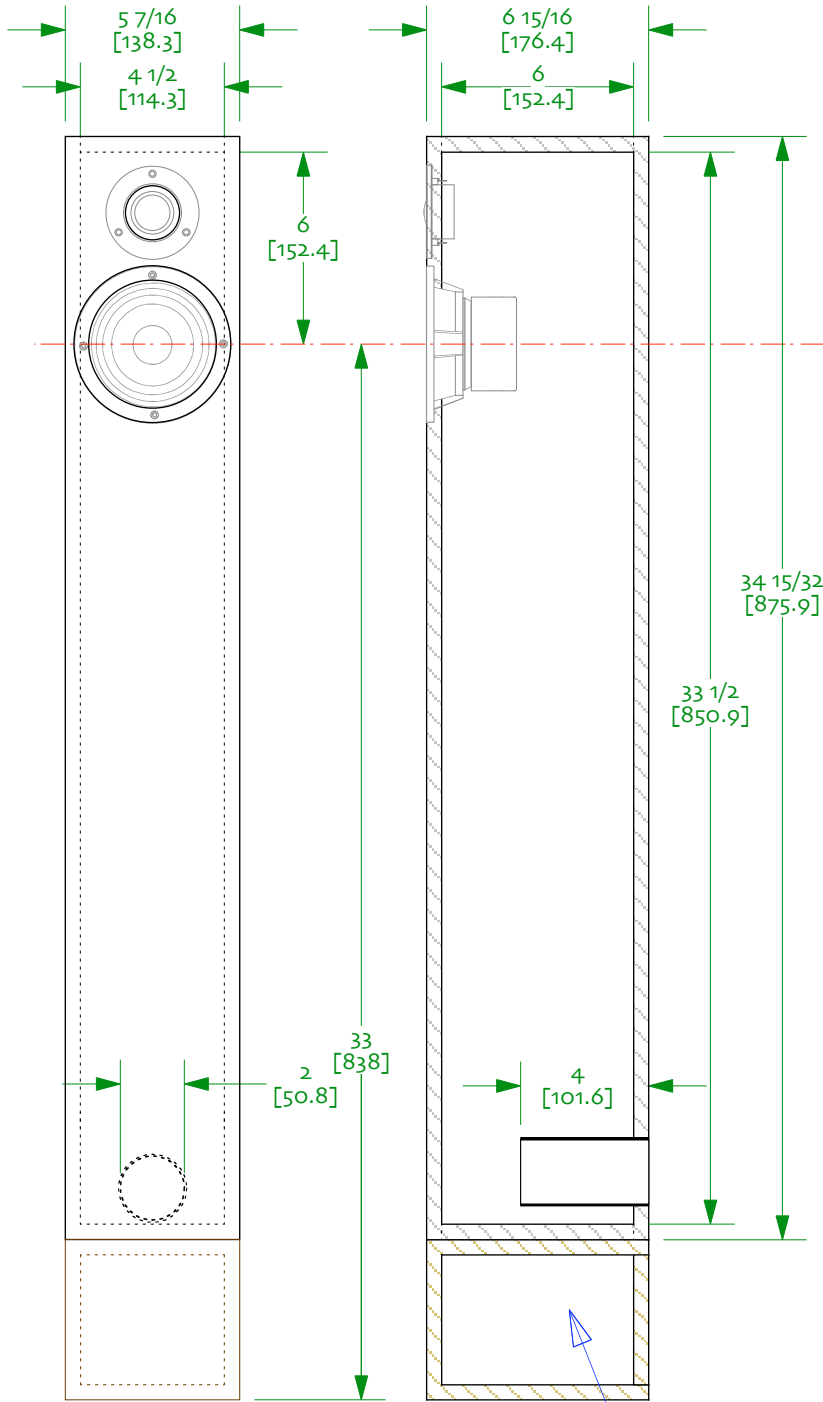
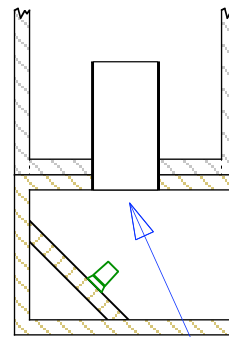


Arro-inspired ML-TL ov9
 CSSEL70
 Sheet 0 - 12mm plans
 designed by Scott Lindgren
 drawn by dld / 28-november-2010



- Notes:
- 0/ All panels 12mm (~1/2") thick
 - 1/ Don't forget to angle cut the back of the driver cut-out to give it breathing room
 - 2/ Stuff 0.5lbs ft³ of dacron from the top 20in down
 - 3/ stabilizing base recommended
 - 4/ suggested bracing not shown
 - 5/ Dimensions shown to 1/32" and 0.1 mm but need not be built to that accuracy.

extended base 8-10" tall, sand fill to increase stability



alternate port arrangement