



Quartet 10 Subwoofer Kit

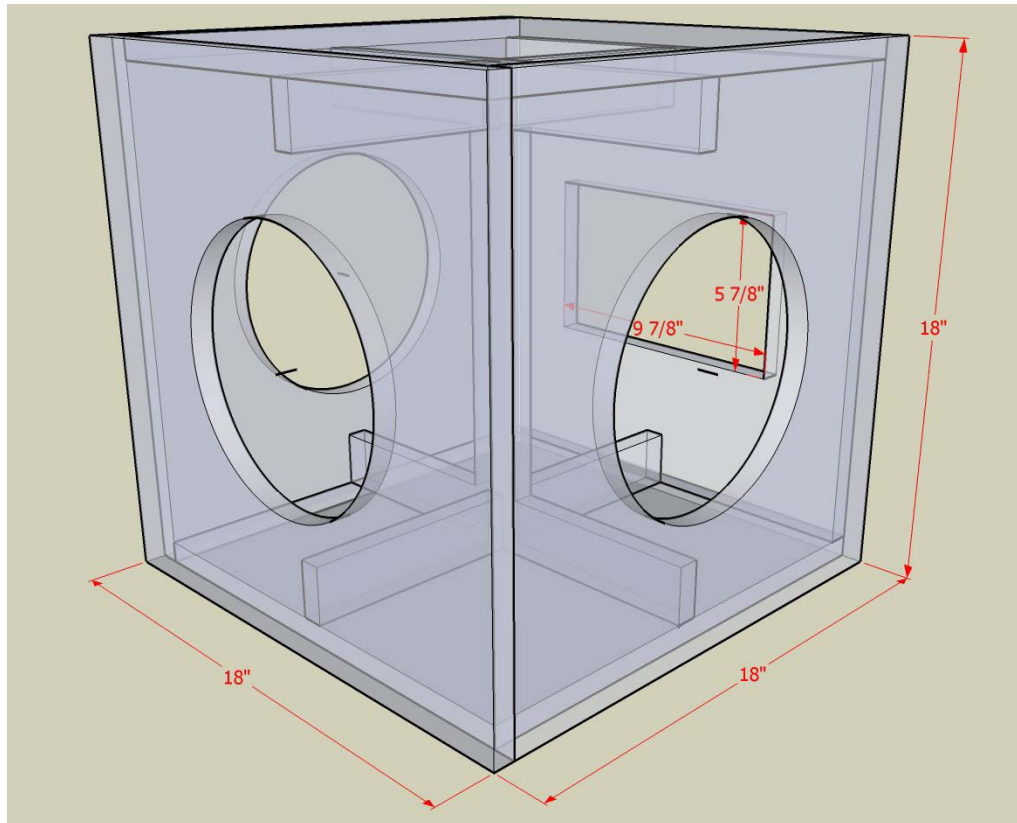
The main advantage of this kit is the very good output. Depending on flush mounting or grills this is essentially an 18" cube. This assumes $\frac{3}{4}$ " (19mm) wall thickness.

The kit contains the following:

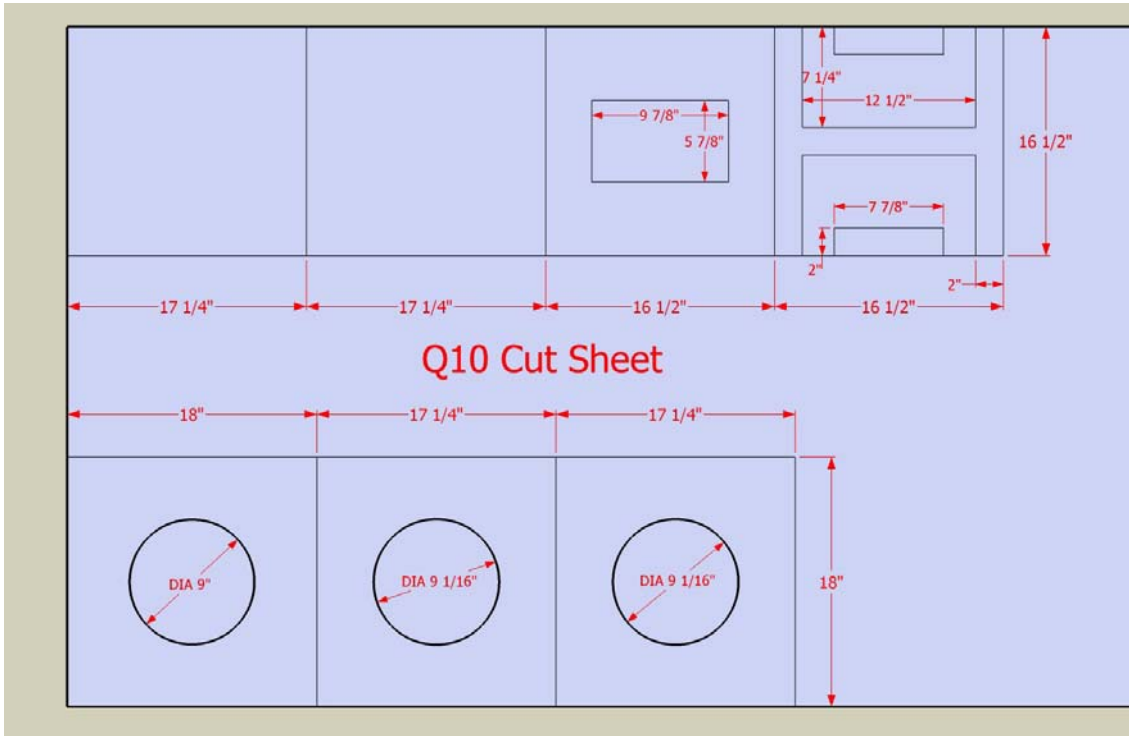
- 1 CSS SDX10 woofer
- 2 CSS APR10 passive radiators (including disk kits)
- 1 BASH300 plate amplifier (modified)
- 24 1.25" mounting bolts and threaded insert nuts
- A set of 4 cabinet feet with appropriate hardware
- 10 screws to mount the plate amplifier



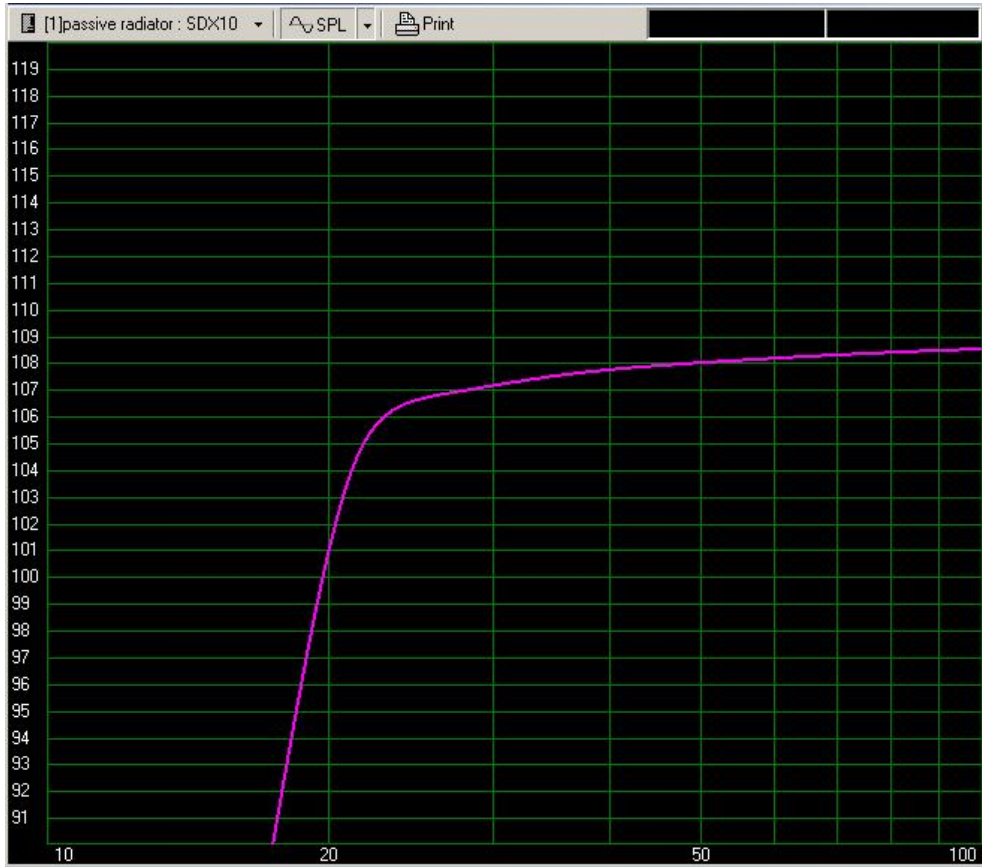
OPTIONS: Add an Antimode 8033 sub woofer equalizer for \$250.00



The cutting layout below assumes that the components are surface mounted rather than flush mounted.



Simulated output for the sub is below. This takes into account the modified amplifier included with the kit.



SDX10 in 66 liters net volume – tuned to 22Hz

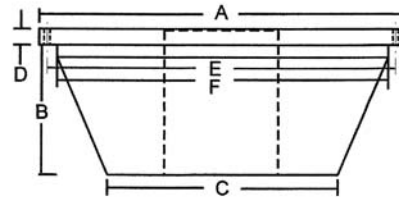
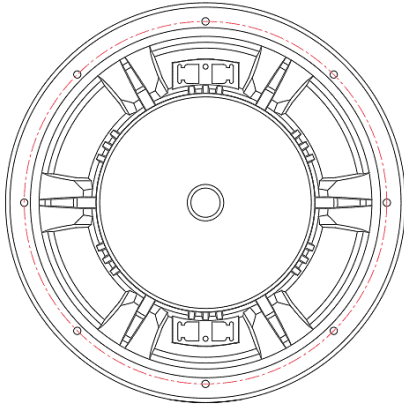
18 inch external cube

Bash 300

HPF 20.4

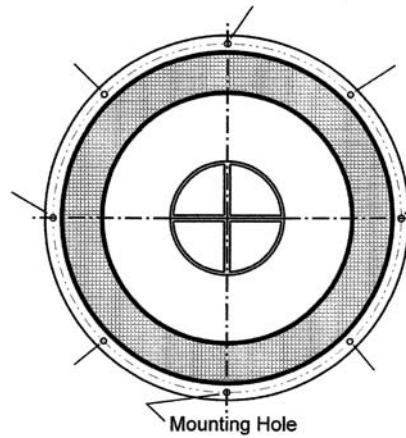
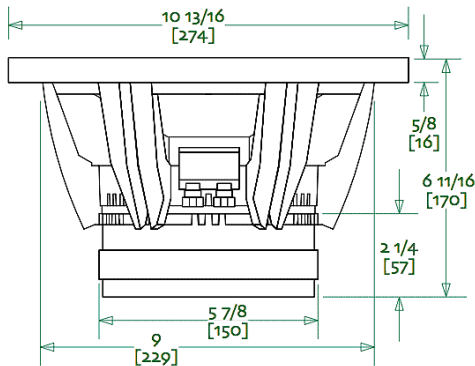
1 db boost 31-35 hz

270 grams added to PR's (6 disks)

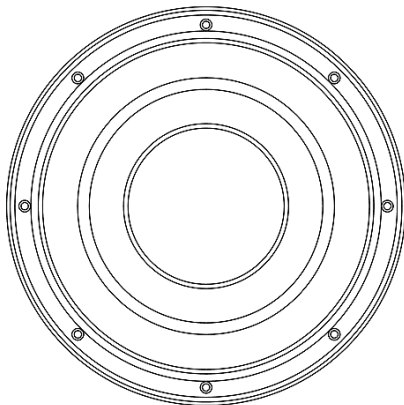


Mounting Dimensions

	10"	12"	15"
A	260	313	390
B	80	97.8	137
C	150	180	170
D	12	13.5	17
E	248	295.2	374
F	232	280	354



All dimensions in millimetres
Mounting Holes 5 x 8 mm



Here's a link to a build of this kit

<http://www.hometheatershack.com/forums/diy-subwoofers-sealed-ported/16761-creative-sound-solutions-sdx10-sub-kit.html>